

3M™ Mini D Ribbon (MDR) Connectors

.050" IDC Wiremount Plug - Shielded

101 Series



- Wiper-on-wiper contact for reliable repetitive plugging
- MDR digital LCD interface as a 20 or 26 contact connector
- IEEE 1284C Interface as a 36 contact connector
- Accepts a wide variety of cable constructions including flat, round, twisted pair and twinax cables
- Accepts a wide variety of shielded junction shells
- Contacts: 14, 20, 26, 36, 40, 50, 68, 80 and 100
- See Regulatory Information Appendix (RIA) for chemical compliance information

Date Modified: February 7, 2007

TS-0423-14
Sheet 1 of 3

Physical

Insulation Material: Glass Reinforced Polyester

Flammability: UL 94V-0

Body Color: Black

Cover Color: Black, Gray

Contact

Material: Beryllium Copper

Underplating: 80 μ " [2.0 μ m] Nickel

Wiping Area Plating: 30 μ " [0.76 μ m] Min. Gold

IDC Contacts Plating: Gold flash

Shroud

Material: Steel

Plating: Nickel

Wire Accommodation

Black Cover: 28 AWG Stranded, 30 AWG Solid (Insulation Diameter = 0.7 mm Max.)

Gray Cover: 26 AWG Solid (Insulation Diameter = 0.7 mm to 0.9 mm)

Marking: 3M Logo and Part Number

Electrical

Current Rating: 1 A

Insulation Resistance: $> 1 \times 10^8 \Omega$ at 500 V_{DC}

Withstanding Voltage: 500 V_{RMS} for 1 Minute

Environmental

Temperature Rating: -20°C to +85°C

UL File No.: E68080

3M™ Mini D Ribbon (MDR) Connectors

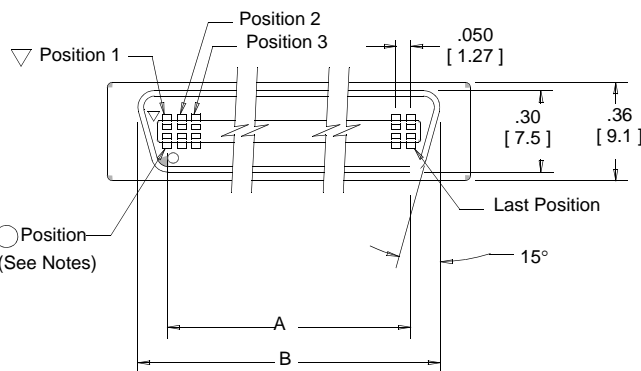
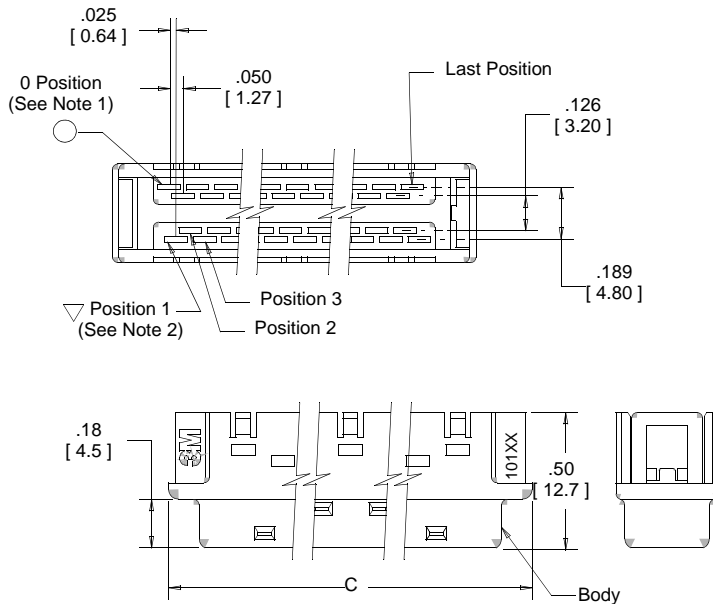
.050" IDC Wiremount Plug - Shielded

101 Series



| Contact Quantity | Dimensions | | | |
|------------------|-----------------|---------------|---------------|---------------|
| | A | B | C | D |
| 14 | .300 [7.62] | .54 [13.8] | .72 [18.2] | .58 [14.7] |
| 26 | .600 [15.24] | .84 [21.4] | 1.02 [25.8] | .88 [22.4] |
| 50 | 1.200 [30.48] | 1.44 [36.6] | 1.62 [41.1] | 1.48 [37.6] |

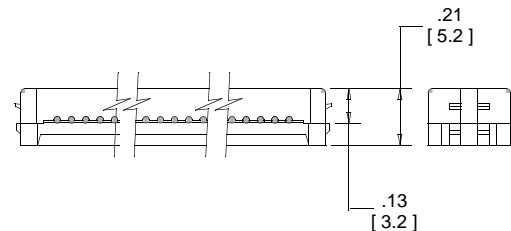
Body (14, 26 and 50 positions)



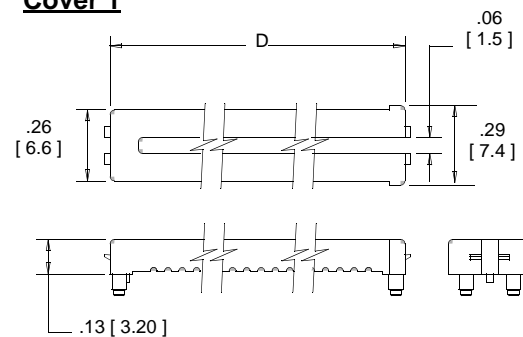
Notes:

- Circle (O) position indicates #1 position in cable, when utilizing 0.025" pitch flat cable.
- Triangle (∇) position indicates #2 position in cable, when utilizing 0.025" pitch flat cable.

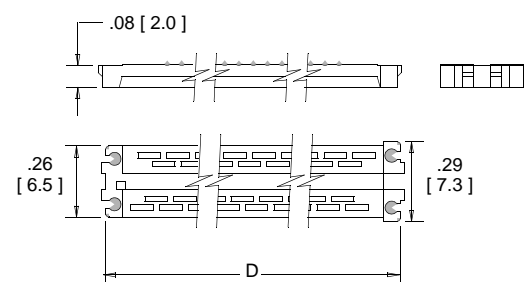
Cover Assembly



Cover 1



Cover 2



Inch
[mm]

| Tolerance Unless Noted | | | |
|------------------------|-----|------|-------|
| | .0 | .00 | .000 |
| inch | ±.1 | ±.01 | ±.005 |

[] Dimensions for Reference Only

Ordering Information

(See page 3 for other sizes and assembly tools.)

101XX-60X0EC

Contact Quantity
(See Table)
Note: 100 pos = A0

Wire Accommodation:

- 0 = Black Cover: 28 AWG Stranded, 30 AWG Solid
- 1 = Gray Cover: 26 AWG Solid (Available in 68 Contact Only, UL Pending)

Wiping Interface Plating:
C = 30µ m [0.76 mm] Min. Gold over Ni

IDC Plating:
E = Gold Flash over Ni
(App E1 & C1 apply)

TS-0423-14
Sheet 2 of 3

3M™ Mini D Ribbon (MDR) Connectors

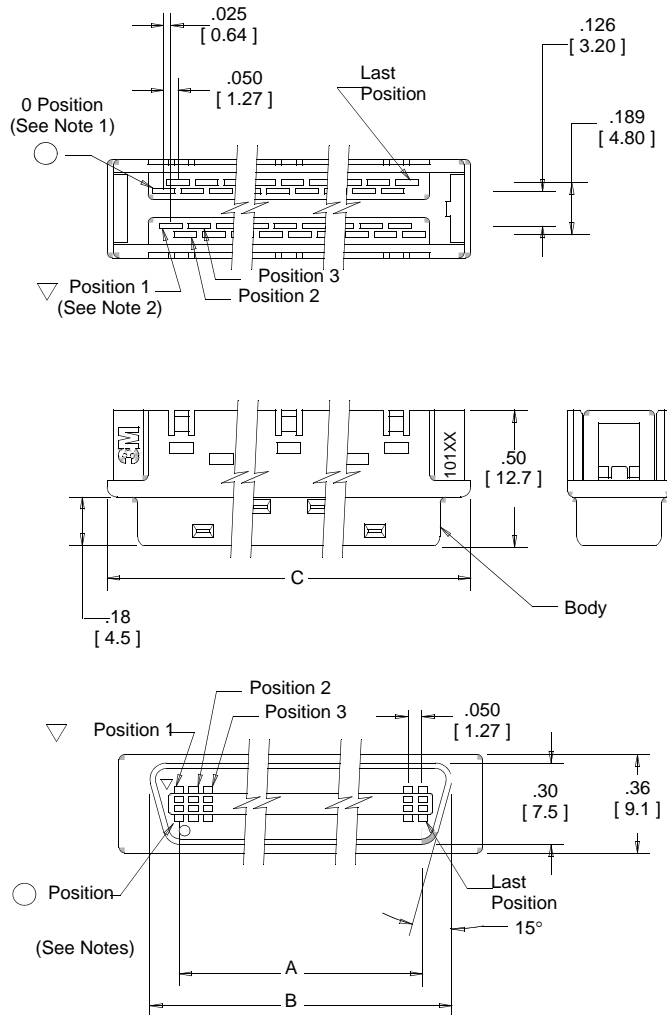
.050" IDC Wiremount Plug - Shielded

101 Series

| Contact Quantity | Dimensions | | | |
|------------------|-----------------|---------------|---------------|---------------|
| | A | B | C | D |
| 20 | .450 [11.43] | .69 [17.6] | .87 [22.0] | .73 [18.6] |
| 36 | .850 [21.59] | 1.09 [27.8] | 1.27 [32.2] | 1.13 [28.7] |
| 40 | .950 [24.13] | 1.19 [30.3] | 1.37 [34.7] | 1.23 [31.3] |
| 68 | 1.650 [41.91] | 1.89 [48.1] | 2.07 [52.5] | 1.93 [49.0] |
| 80 | 1.950 [49.53] | 2.16 [54.8] | 2.37 [60.1] | 2.23 [56.7] |
| 100 | 2.450 [62.23] | 2.66 [67.5] | 2.87 [72.8] | 2.73 [69.4] |



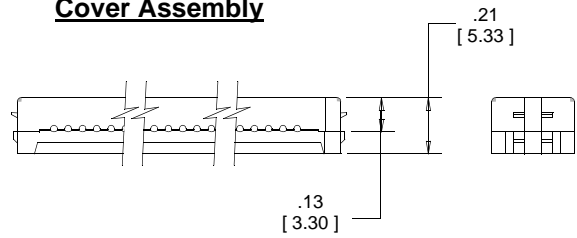
Body (20, 36, 40, 68, 80 and 100 positions)



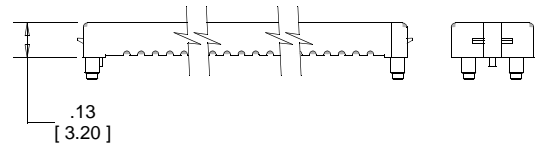
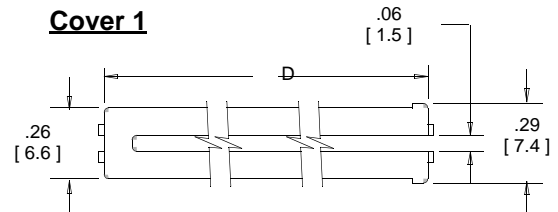
Notes:

1. Circle (O) position indicates #1 position in cable, when utilizing 0.025" pitch flat cable.
2. Triangle (∇) position indicates #2 position in cable, when utilizing 0.025" pitch flat cable.

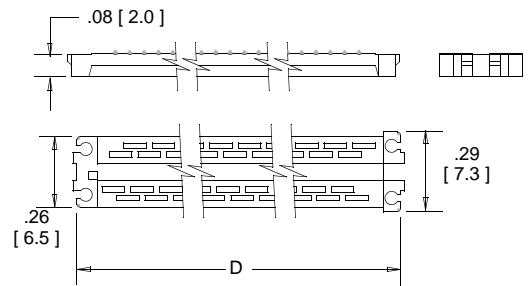
Cover Assembly



Cover 1



Cover 2



Inch
[mm]

| Tolerance Unless Noted | | | |
|------------------------|-----|------|-------|
| | .0 | .00 | .000 |
| inch | ±.1 | ±.01 | ±.005 |

[] Dimensions for Reference Only

Ordering Information

101XX-60X0EC

Contact Quantity
(See Table)
Note: 100 pos = A0

Wiping Interface Plating:
C = 30µm [0.76 mm] Min. Gold over Ni

Wire Accommodation:
0 = Black Cover: 28 AWG Stranded, 30 AWG Solid
1 = Gray Cover: 26 AWG Solid (Available in 68 Contact Only, UL Pending)

IDC Plating:
E = Gold flash over Ni (App E1 & C1 apply)

3: Assembly tools: 3M™ Hand Press Kit 3829 (68 position & below). All Sizes: 3M™ Assembly Press 10962-2000; 3M™ Lacing Fixture 10962-2000, 3M™ Cutting Unit 10961 & 3M™ Wire Clamp 10964-1 (14-50 pos.) or 3M™ Wire Clamp 10964-2 (68-100 pos.).

TS-0423-14
Sheet 3 of 3